

LODESTONE PACIFIC

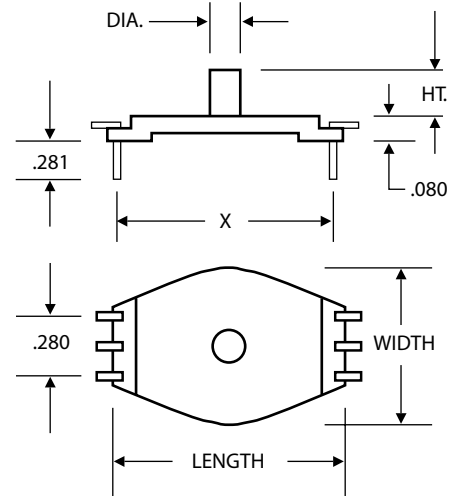
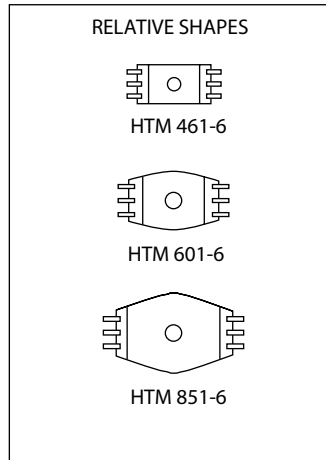


Phone: (800) 694-8089
 www.lodestonepacific.com
 E-mail: sales@lodestonepacific.com

HTM SERIES

Material: GFN (Natural)
UL Rating: UL94-VO, Class F
6 Terminals: Brass Nickel Flash
 100% Tin Plated
Solderability: Per MIL-STD-202
 Method 208
Package Method: Bulk in Polybags
Application: Low profile horizontal
 mounting of wound toroids from .400 to
 .850 inches in diameter. Each size is
 available with or without a center post.

Made in our China Factory



± .010 inches
 [mm] [Not to Scale]

PART NO.	LENGTH	WIDTH	HT.	DIA.	X	CORE SIZES	PACKING TRAY
HTM 460-6	.720 [18.28]	.460 [11.68]	.000	.000	.638 [16.20]	up to .500 inches	TY65-100-A
HTM 461-6	.720 [18.28]	.460 [11.68]	.163 [4.14]	.120 [3.04]	.638 [16.20]	up to .500 inches	TY65-100-A
HTM 600-6	.937 [23.79]	.600 [15.24]	.000	.000	.848 [21.53]	up to .750 inches	TY85-116-A
HTM 601-6	.937 [23.79]	.600 [15.24]	.250 [6.35]	.156 [3.96]	.848 [21.53]	up to .750 inches	TY85-116-A
HTM 850-6	1.208 [30.68]	.850 [21.59]	.000	.000	1.130 [28.70]	up to 1.00 inches	TY122-140-A
HTM 851-6	1.208 [30.68]	.850 [21.59]	.250 [6.35]	.156 [3.96]	1.130 [28.70]	up to 1.00 inches	TY122-140-A

Get Samples

Request samples and literature and have them ship to you same day.
www.lodestonepacific.com/samplepricing.php

Check Inventory

View daily updated inventory levels in USA and Hong Kong warehouses.
www.lodestonepacific.com/search.php

Request a Quote

Request a quote and delivery and have it e-mailed to you same day.
www.lodestonepacific.com/quote.php

Try Me!
Toroid Mount Selector

Search for a part to match your applications, download the .pdf
www.lodestonepacific.com/selectoroid.php

NEW!
REACH Docs Database

Search for REACH documents, view or download the certifications .pdf.
www.lodestonepacific.com/reach.php

NEW!
Find a Coil Winder

Search our Coil Winder Data Base, for capabilities to match your specs.
www.lodestonepacific.com/coilwinders.php