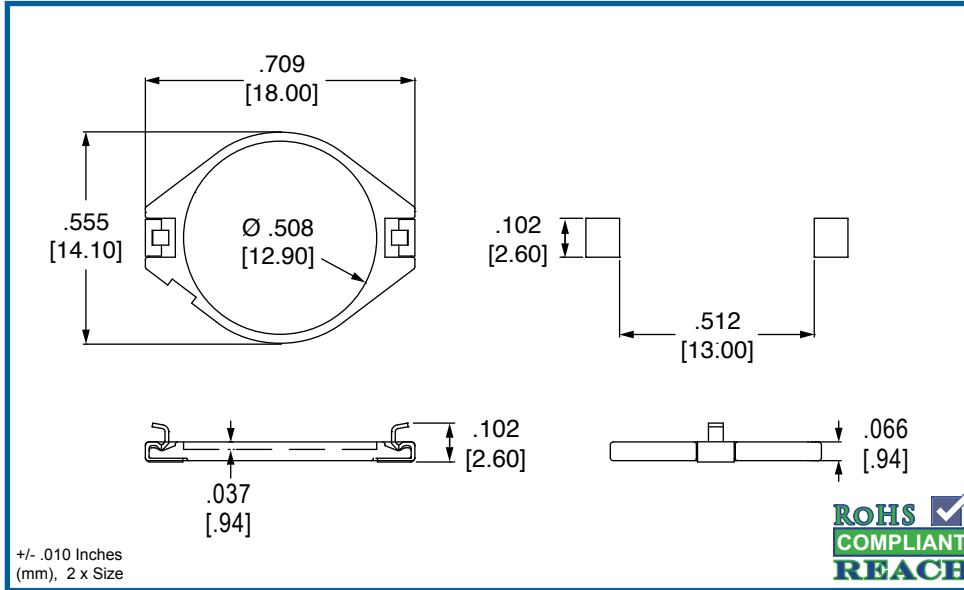


# LODESTONE PACIFIC



Phone: (800) 694-8089  
www.lodestonepacific.com  
E-mail: sales@lodestonepacific.com



## SMDR516-2

**Material:** LCP (Black)  
**UL Rating:** UL94-VO, Class F  
**2 Terminals:** Phosphorus Bronze  
100% Tin Plate  
**Solderability:** MIL-STD-202  
Method 208

**Package Method:** Bulk in Poly Bags  
See RoHS compliant PVC packaging tray options on page 57.

**Application:** For surface mounting of 9 to 13 mm bobbin cores or low profile wound toroids up to .520 inches in diameter.



**Get Samples**

Request samples and literature and have them ship to you same day.  
[www.lodestonepacific.com/samplepricing.php](http://www.lodestonepacific.com/samplepricing.php)

**Check Inventory**

View daily updated inventory levels in USA and Hong Kong warehouses.  
[www.lodestonepacific.com/search.php](http://www.lodestonepacific.com/search.php)

**Request a Quote**

Request a quote and delivery and have it e-mailed to you same day.  
[www.lodestonepacific.com/quote.php](http://www.lodestonepacific.com/quote.php)

**Try Me!** **Toroid Mount Selector**

Search for a part to match your applications, download the .pdf  
[www.lodestonepacific.com/selectoroid.php](http://www.lodestonepacific.com/selectoroid.php)

**NEW!** **REACH Docs Database**

Search for REACH documents, view or download the certifications .pdf.  
[www.lodestonepacific.com/reach.php](http://www.lodestonepacific.com/reach.php)

**NEW!** **Find a Coil Winder**

Search our Coil Winder Data Base, for capabilities to match your specs.  
[www.lodestonepacific.com/coilwinders.php](http://www.lodestonepacific.com/coilwinders.php)