



Phone: (800) 694-8089  
 www.lodestonepacific.com  
 E-mail: sales@lodestonepacific.com

## STM40LC-02-LCP5

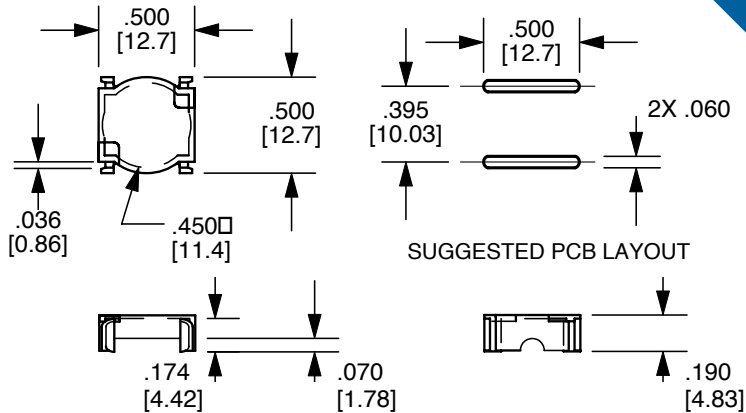
**Material:** LCP5 (Black)  
**UL Rating:** UL94-VO, Class F  
**2 Terminals:** Self Terminating

## STM40LCC-04-LCP5

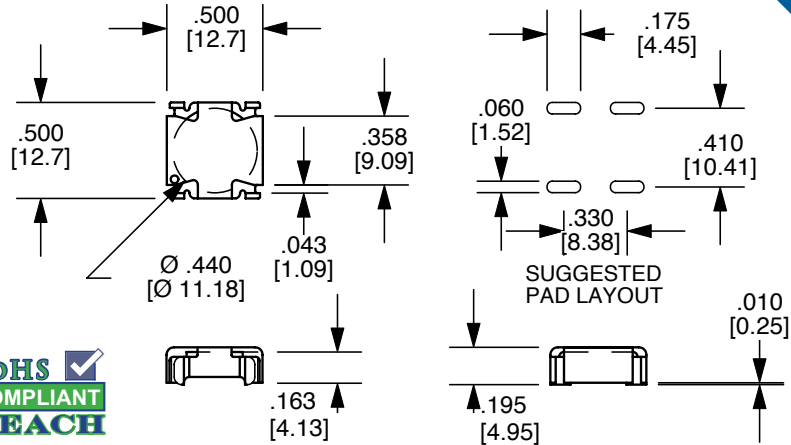
**Material:** LCP5 (Black)  
**UL Rating:** UL94-VO, Class F  
**4 Terminals:** Self Terminating  
**Package Method:** Bulk in Poly Bags  
 See RoHS compliant PVC packaging trays.

**Application:** The STM40LC-02 is for self leading surface mount inductors (2 wire terminations) and STM40LCC-04 for inductors and transformers up to 4 wire terminations. For wound toroids up to .450 and uses the toroid's winding leads to surface mount the toroid and case to the PCB. The toroid's leads are held in position by the slots incorporated in the case.

This product is the patented concept of Pulse Engineering Inc.



NEW



NEW

**Get Samples**  
 Request samples and literature and have them ship to you same day.  
[www.lodestonepacific.com/samplepricing.php](http://www.lodestonepacific.com/samplepricing.php)

**Check Inventory**  
 View daily updated inventory levels in USA and Hong Kong warehouses.  
[www.lodestonepacific.com/search.php](http://www.lodestonepacific.com/search.php)

**Request a Quote**  
 Request a quote and delivery and have it e-mailed to you same day.  
[www.lodestonepacific.com/quote.php](http://www.lodestonepacific.com/quote.php)

**Try Me! Toroid Mount Selector**  
 Search for a part to match your applications, download the .pdf  
[www.lodestonepacific.com/selectoroid.php](http://www.lodestonepacific.com/selectoroid.php)

**NEW! REACH Docs Database**  
 Search for REACH documents, view or download the certifications .pdf.  
[www.lodestonepacific.com/reach.php](http://www.lodestonepacific.com/reach.php)

**NEW! Find a Coil Winder**  
 Search our Coil Winder Data Base, for capabilities to match your specs.  
[www.lodestonepacific.com/coilwinders.php](http://www.lodestonepacific.com/coilwinders.php)