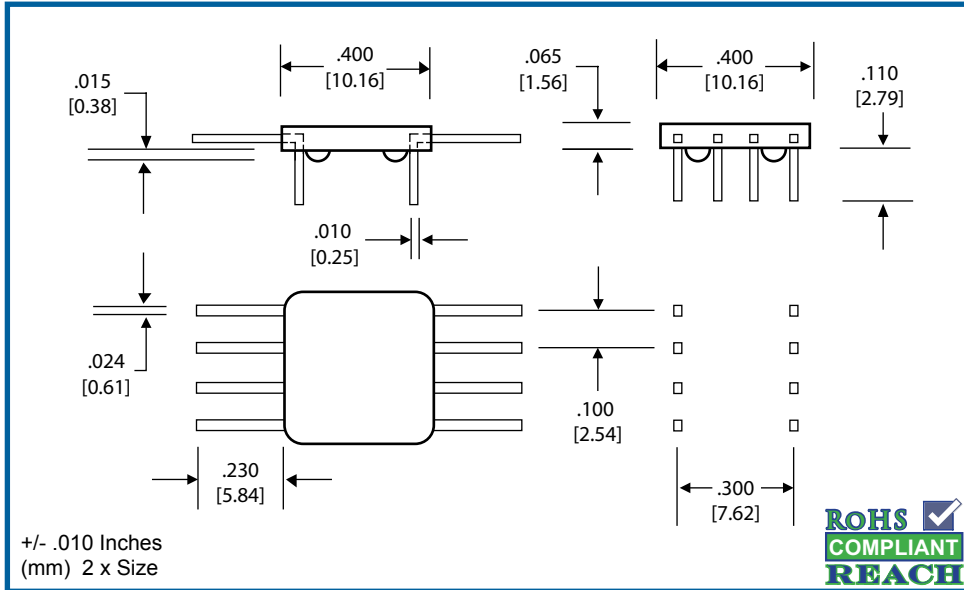


LODESTONE PACIFIC



Phone: (800) 694-8089
 www.lodestonepacific.com
 E-mail: sales@lodestonepacific.com



TM411-8

Material: DAP4 (Black)
UL Rating: UL94-VO, Class F
8 Terminals: Phosphorous Bronze
 .024 (.6mm) x .010 (.25mm). 100% Tin Plate.
Solderability: Per MIL-STD-202 Method 208

Package Tray (HIPS): TY65x100-B (75/tray)
 See RoHS compliant PVC packaging trays options on page 57.

Application: For horizontal mounting of components and wound toroids up to .400 inches in diameter. TM400-8 with Alloy 42 terminals is still available.

Made in our China Factory



Get Samples
 Request samples and literature and have them ship to you same day.
www.lodestonepacific.com/samplepricing.php

Check Inventory
 View daily updated inventory levels in USA and Hong Kong warehouses.
www.lodestonepacific.com/search.php

Request a Quote
 Request a quote and delivery and have it e-mailed to you same day.
www.lodestonepacific.com/quote.php

Try Me!
Toroid Mount Selector
 Search for a part to match your applications, download the .pdf
www.lodestonepacific.com/selectoroid.php

NEW!
REACH Docs Database
 Search for REACH documents, view or download the certifications .pdf.
www.lodestonepacific.com/reach.php

NEW!
Find a Coil Winder
 Search our Coil Winder Data Base, for capabilities to match your specs.
www.lodestonepacific.com/coilwinders.php