

# LODESTONE PACIFIC



Phone: (800) 694-8089  
 www.lodestonepacific.com  
 E-mail: sales@lodestonepacific.com

## VTC Series

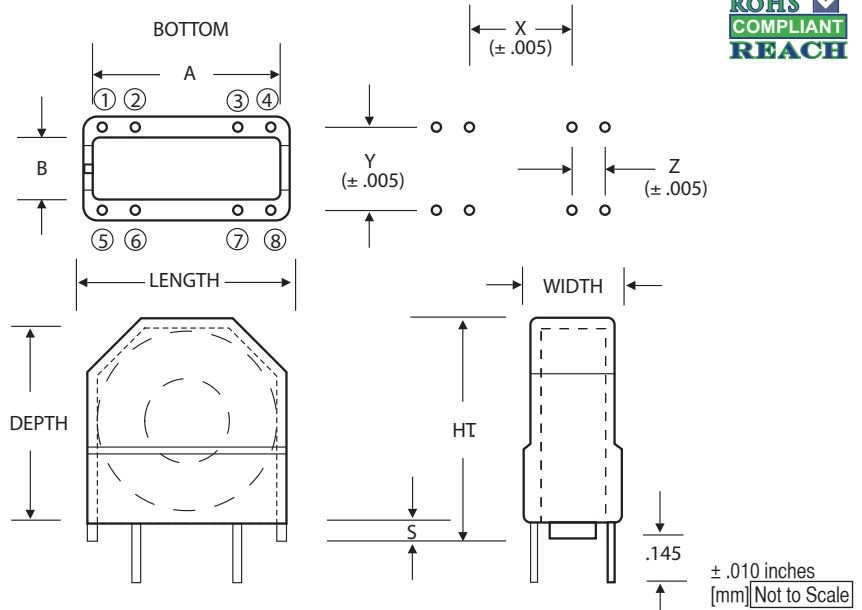


**Material:** GFN (Natural)  
**UL Rating:** UL94-VO, Class F  
**Terminals:** CP Wire  
 .026 (.66mm) x .026 (.66mm). 100% Tin Plate.  
**Solderability:** MIL-STD-202  
 Method 208

**Package Method:** Bulk in Poly Bags

**Application:** A European stand for enclosed vertical mounting of wound toroids from .500 to 1.46 inches in diameter. Four terminals in positions 2,3,6,7 is standard. Any terminal pattern can be provided. Example; VTC774-5/12356 is the part number for five terminals in positions 1,2,3,5,6. Bottom plates are available to allow self-leading of heavy gauge wire. (Sold separately)

Made in our China Factory



PART NO.	LENGTH	WIDTH	A	B	HT.	DEPTH	S	X	Y	Z	TRAY
VTC 512-4	.750 [19.0]	.350 [9.0]	.520 [13.2]	.270 [6.85]	.630 [16.0]	.527 [13.4]	.063 [1.6]	.590 [15.0]	.197 [5.0]	—	TY74x77-A
VTC 613-4	.710 [18.0]	.510 [13.0]	.630 [16.0]	.315 [8.0]	.787 [20.0]	.685 [17.5]	.063 [1.6]	.197 [5.0]	.394 [10.0]	.197 [5.0]	TY85x116-A
VTC 774-4	.905 [23.0]	.610 [15.5]	.790 [20.0]	.394 [10.0]	.984 [25.0]	.889 [22.6]	.055 [1.4]	.394 [10.0]	.492 [12.5]	.197 [5.0]	TY85x116-A
VTC 935-4	1.060 [27.0]	.710 [18.0]	.950 [24.10]	.512 [13.0]	1.180 [30.0]	1.060 [27.0]	.060 [1.50]	.492 [12.5]	.590 [15.0]	.197 [5.0]	TY122x140-A
VTC 1156-4	1.260 [32.00]	.710 [18.0]	1.180 [30.0]	.512 [13.0]	1.378 [35.0]	1.240 [31.5]	.080 [2.0]	.492 [12.5]	.590 [15.0]	.295 [7.5]	None
VTC 1227-4	1.378 [35.0]	.905 [23.0]	1.30 [33.0]	.669 [17.0]	1.457 [37.0]	1.300 [33.0]	.080 [2.0]	.590 [15.0]	.787 [20.0]	.295 [7.5]	None
VTC 1468-4	1.653 [42.0]	1.100 [28.0]	1.555 [39.50]	.846 [21.5]	1.770 [45.0]	1.660 [42.2]	.080 [2.0]	.984 [25.0]	.984 [25.0]	.295 [7.5]	None

**Get Samples**  
 Request samples and literature and have them ship to you same day.  
[www.lodestonepacific.com/samplepricing.php](http://www.lodestonepacific.com/samplepricing.php)

**Check Inventory**  
 View daily updated inventory levels in USA and Hong Kong warehouses.  
[www.lodestonepacific.com/search.php](http://www.lodestonepacific.com/search.php)

**Request a Quote**  
 Request a quote and delivery and have it e-mailed to you same day.  
[www.lodestonepacific.com/quote.php](http://www.lodestonepacific.com/quote.php)

**Try Me!**  
**Toroid Mount Selector**  
 Search for a part to match your applications, download the .pdf  
[www.lodestonepacific.com/selectoroid.php](http://www.lodestonepacific.com/selectoroid.php)

**NEW!**  
**REACH Docs Database**  
 Search for REACH documents, view or download the certifications .pdf.  
[www.lodestonepacific.com/reach.php](http://www.lodestonepacific.com/reach.php)

**NEW!**  
**Find a Coil Winder**  
 Search our Coil Winder Data Base, for capabilities to match your specs.  
[www.lodestonepacific.com/coilwinders.php](http://www.lodestonepacific.com/coilwinders.php)