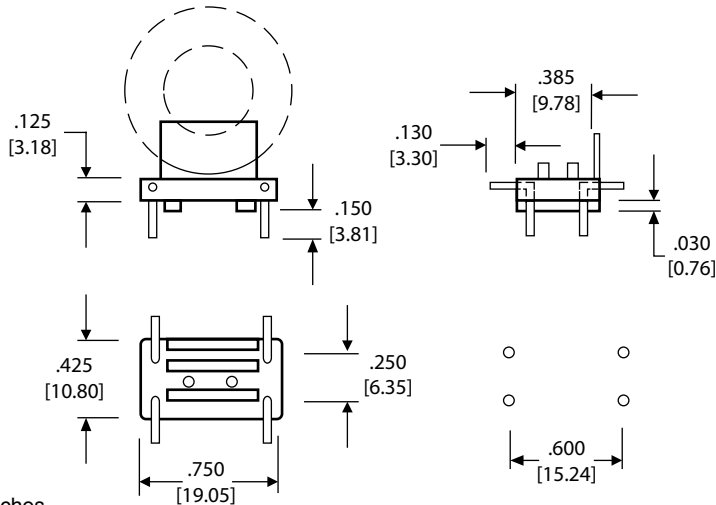


LODESTONE PACIFIC



Phone: (800) 694-8089
 www.lodestonepacific.com
 E-mail: sales@lodestonepacific.com

VTM100-4



+/- .010 Inches
 (mm) Actual Size



Material: GFN (Natural)
UL Rating: UL94-VO, Class F
4 Terminals: Copper Wire
 .040 Dia. (#18AWG)
 100% Tin Plated
Solderability: Per MIL-STD-202
 Method 208
Packaging: Bulk in Polybags
Application: An industry standard for vertical mounting of wound toroids up to 1.15 inches in diameter. VTM 100-0 is available with .037 through holes and no terminals.

Get Samples
 Request samples and literature and have them ship to you same day.
www.lodestonepacific.com/samplepricing.php

Check Inventory
 View daily updated inventory levels in USA and Hong Kong warehouses.
www.lodestonepacific.com/search.php

Request a Quote
 Request a quote and delivery and have it e-mailed to you same day.
www.lodestonepacific.com/quote.php

Try Me!
Toroid Mount Selector
 Search for a part to match your applications, download the .pdf
www.lodestonepacific.com/selectoroid.php

NEW!
REACH Docs Database
 Search for REACH documents, view or download the certifications .pdf.
www.lodestonepacific.com/reach.php

NEW!
Find a Coil Winder
 Search our Coil Winder Data Base, for capabilities to match your specs.
www.lodestonepacific.com/coilwinders.php