

LODESTONE PACIFIC



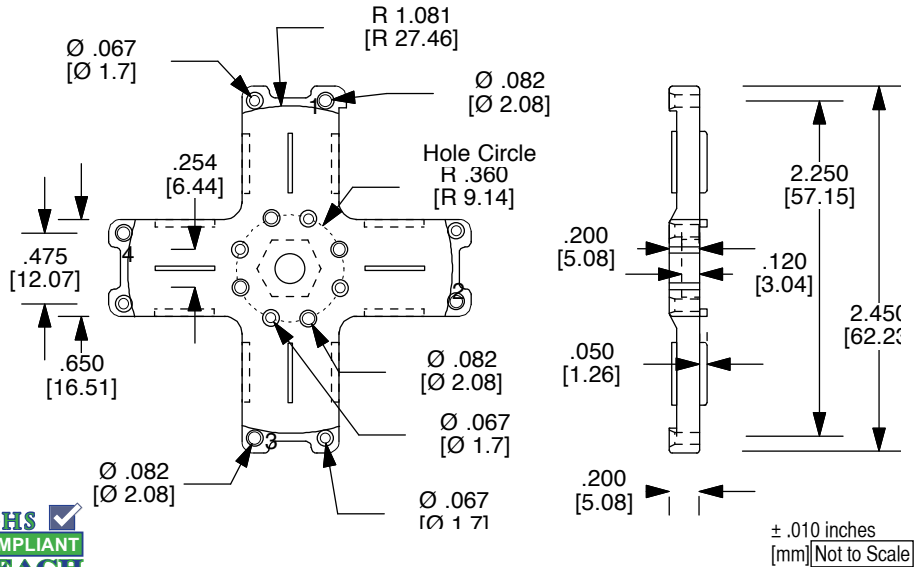
Phone: (800) 694-8089
 www.lodestonepacific.com
 E-mail: sales@lodestonepacific.com

XM2200-08

Material: PET (Black)
UL Rating: UL94-VO, Class F
8 Terminals: Self Terminating
Package Method: Bulk in Polypags

Application: The X-Mount is for horizontal mounting of larger toroids up to 2.20 inches in diameter. The .067" (#12AWG) or .082" (#14 AWG) holes facilitate easy assembly and position the toroids winding wire for connection to the PCB. The HTS toroid spacer (page 43) can be used in common mode applications to attach the toroid to the X-Mount or to the PCB. The TR toroid retainer (page 43) can also be used to attach the toroid to the X-mount or to the PCB.

Made in our China Factory



Get Samples

Request samples and literature and have them ship to you same day.
www.lodestonepacific.com/samplepricing.php

Check Inventory

View daily updated inventory levels in USA and Hong Kong warehouses.
www.lodestonepacific.com/search.php

Request a Quote

Request a quote and delivery and have it e-mailed to you same day.
www.lodestonepacific.com/quote.php

Try Me! Toroid Mount Selector

Search for a part to match your applications, download the .pdf
www.lodestonepacific.com/selectoroid.php

NEW! REACH Docs Database

Search for REACH documents, view or download the certifications .pdf.
www.lodestonepacific.com/reach.php

NEW! Find a Coil Winder

Search our Coil Winder Data Base, for capabilities to match your specs.
www.lodestonepacific.com/coilwinders.php