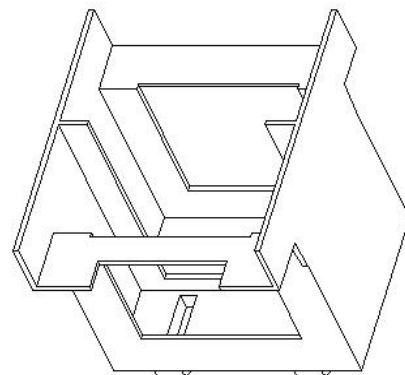
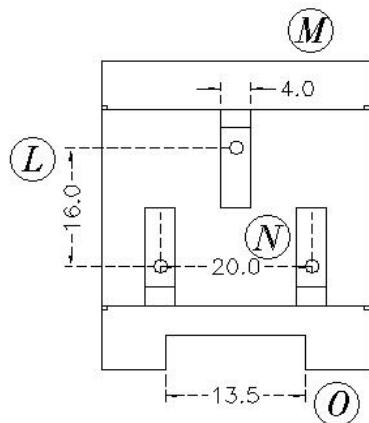
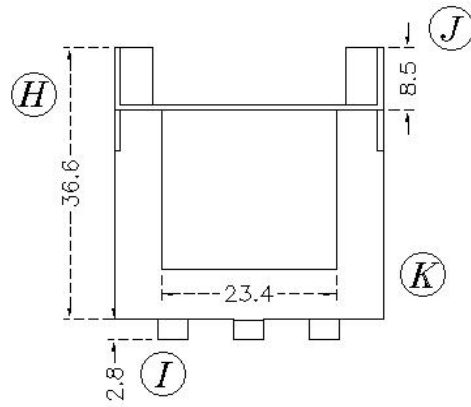
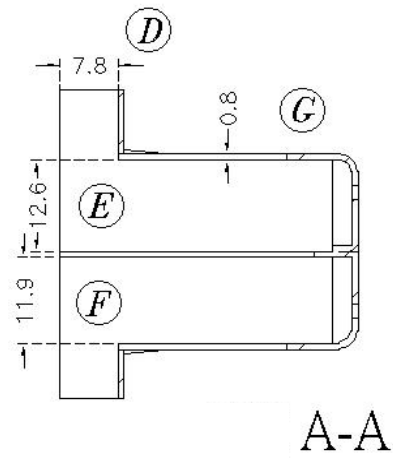
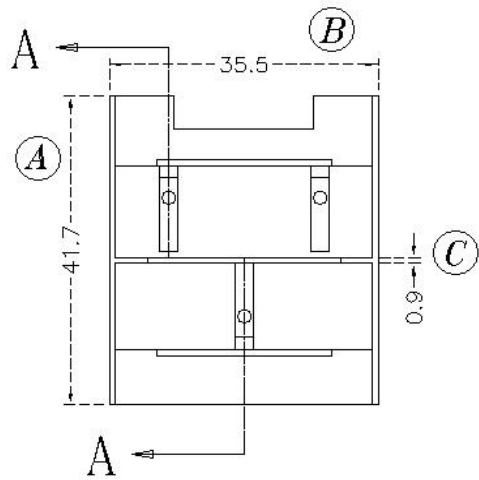
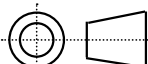


Core Fit Reference

0476		EI-54	EI-68
		Metric	American



CAN BE USED WITH BOBBIN
 B-EIM54X18.5H-14-2-PBT

	Scale	Tolerance (mm)			Terminal Plating	Terminal Material	No of Terminals	
	None	0-4mm +/-0.1	4-16mm +/-0.2	16-60mm +/-0.3	100% Sn	CP Wire		



Molding Material	UL File No.	Rating	Class
PBT	E59481	UL94-V0	B
Bobbin Part Number			Rev No
BS-EIM54X18.5H-14-2-PBT			1