



Core Fit Reference

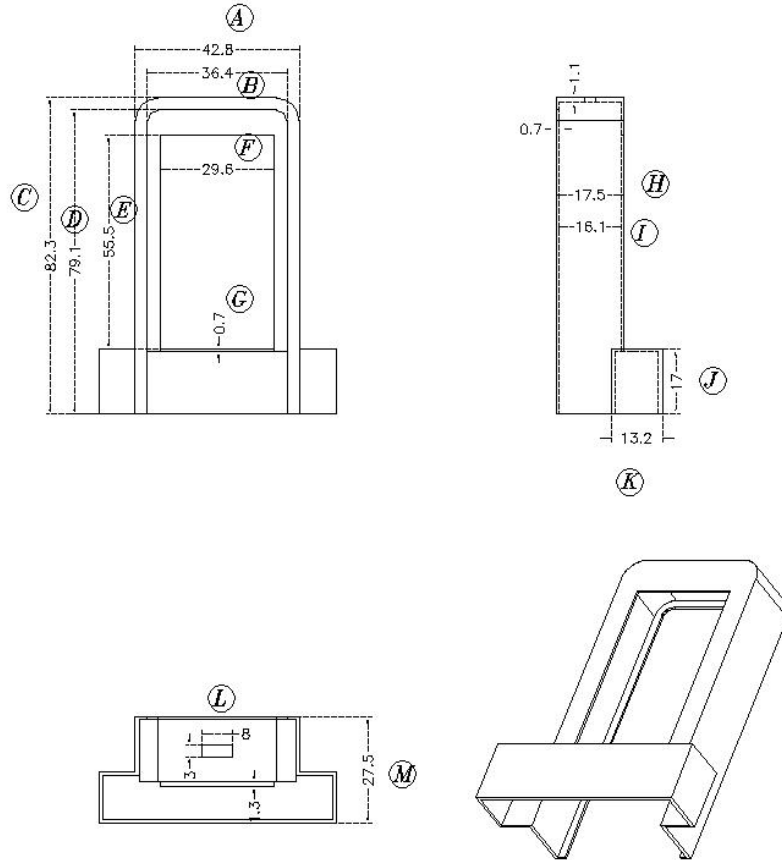
1196

EI-66

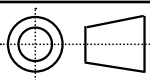
EI-87

Metric

American



CAN BE USED WITH BOBBIN
B-EIM66X50H-20-2-PBT



Scale	Tolerance (mm)			Terminal Plating	Terminal Material	No of Terminals	
None	0-4mm +/-0.1	4-16mm +/-0.2	16-60mm +/-0.3	100% Sn	CP Wire		



Molding Material	UL File No.	Rating	Class
PBT	E59481	UL94-V0	B
Bobbin Part Number			Rev No
BS-EIM66X50H-20-2-PBT			1