

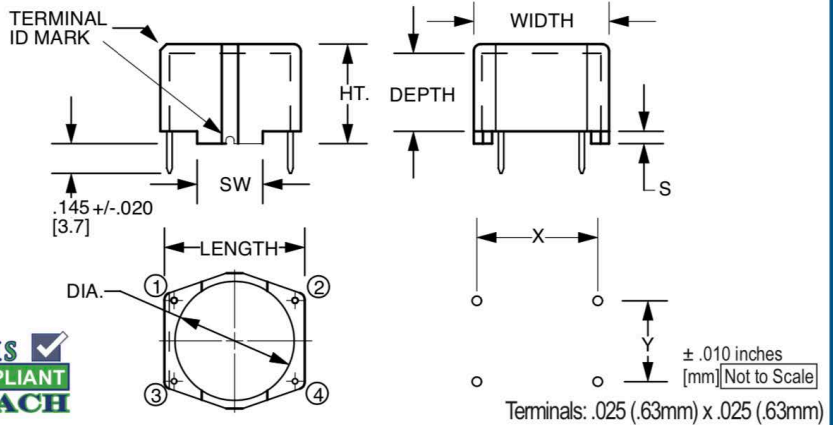
# LODESTONE PACIFIC



Phone: (800) 694-8089  
 www.lodestonepacific.com  
 E-mail: sales@lodestonepacific.com

## HTC1208-4

**Material:** GFN (Natural)  
**UL Rating:** UL94-VO, Class F  
**4 Terminals:** CP Wire 100% Tin  
**Solderability:** Per MIL-STD-202 Method 208  
**Package Method:** Bulk in Poly Bags  
 See RoHS compliant PET packaging trays options on page 47.  
**Application:** For enclosed horizontal mounting of wound toroids up to .119 inches in diameter.



PART NO.	LENGTH	WIDTH	HT.	DEPTH	DIA.	SW	S	X	Y
HTC1208-0	1.300	1.300	.787	.695	1.190	.846	.060	1.181	.590
HTC1208-4	[33.0]	[33.0]	[20.0]	[17.65]	[30.23]	[21.5]	[1.52]	[30.00]	[15.00]

[Request a Sample](#)

[View Inventory](#)

[Request a Quote](#)

[Toroid Mount Selector](#)

[REACH Database](#)

[Coil Winder Database](#)