

LODESTONE PACIFIC



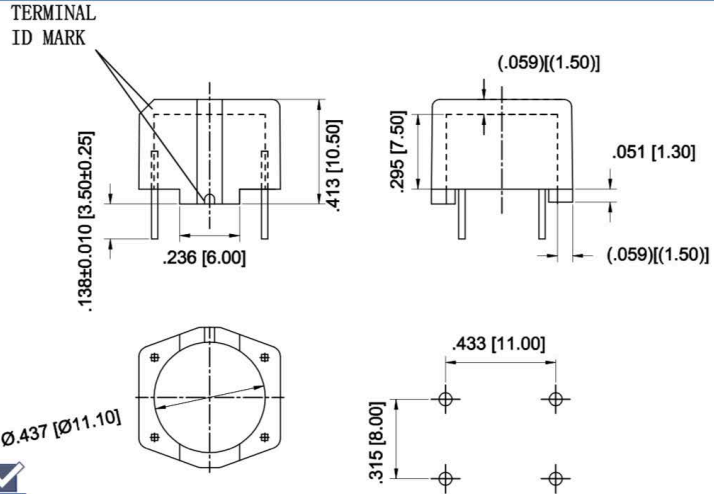
Phone: (800) 694-8089
www.lodestonepacific.com
E-mail: sales@lodestonepacific.com

HTC433-4

Material: GFN (Natural)
UL Rating: UL94-VO, Class F
4 Terminals: CP Wire 100% Tin
Solderability: Per MIL-STD-202 Method 208

Package Method: Bulk in Poly Bags
See RoHS compliant PET packaging trays options on page 47.

Application: For enclosed horizontal mounting of wound toroids up to .430 inches in diameter.



+/- .010 Inches (mm), Actual Size

[Request a Sample](#)

[View Inventory](#)

[Request a Quote](#)

[Toroid Mount Selector](#)

[REACH Database](#)

[Coil Winder Database](#)