

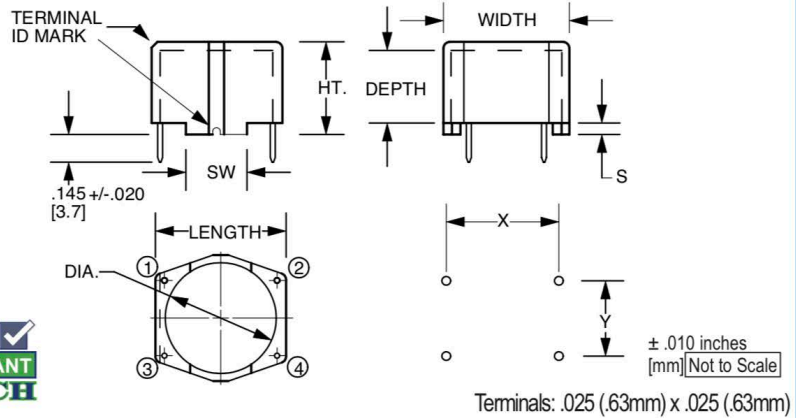
LODESTONE PACIFIC



Phone: (800) 694-8089
 www.lodestonepacific.com
 E-mail: sales@lodestonepacific.com

HTC764-4

Material: GFN (Natural)
UL Rating: UL94-VO, Class F
4 Terminals: CP Wire 100% Tin
Solderability: Per MIL-STD-202 Method 208
Package Method: Bulk in Poly Bags
 See RoHS compliant PET packaging trays options on page 47.
Application: For enclosed horizontal mounting of wound toroids up to .810 inches in diameter.



PART NO.	LENGTH	WIDTH	HT.	DEPTH	DIA.	SW	S	X	Y
HTC764-0	.886	.886	.590	.472	.819	.405	.077	.787	.492
HTC764-4	[22.5]	[22.5]	[15.0]	[10.0]	[20.8]	[10.3]	[2.0]	[20.0]	[12.5]

[Request a Sample](#)

[View Inventory](#)

[Request a Quote](#)

[Toroid Mount Selector](#)

[REACH Database](#)

[Coil Winder Database](#)