

# LODESTONE PACIFIC

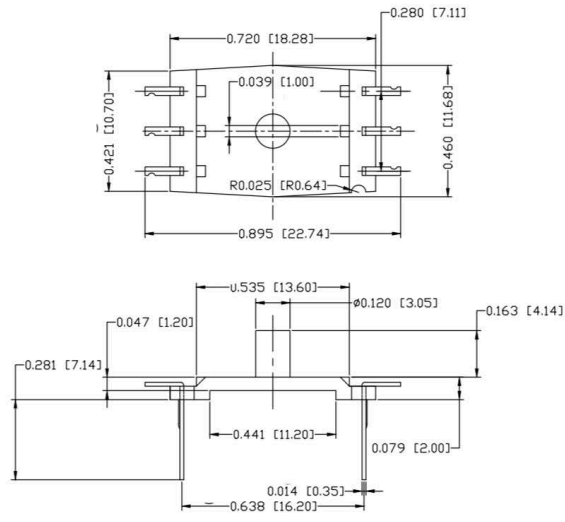


Phone: (800) 694-8089  
www.lodestonepacific.com  
E-mail: sales@lodestonepacific.com

## HTM461-6

**Material:** GFN (Natural)  
**UL Rating:** UL94-VO, Class F  
**6 Terminals:** Brass Nickel Flash  
100% Tin Plated  
**Solderability:** Per MIL-STD-202  
Method 208  
**Package Method:** Bulk in Polybags  
**Application:** Low profile horizontal  
mounting of wound toroids up to .460  
inches in diameter. Each size is avail-  
able without a center post. MOQs apply.

Made in our China Factory



± .010 inches  
[mm] Not to Scale

[Request a Sample](#)

[View Inventory](#)

[Request a Quote](#)

[Toroid Mount Selector](#)

[REACH Database](#)

[Coil Winder Database](#)