

LODESTONE PACIFIC

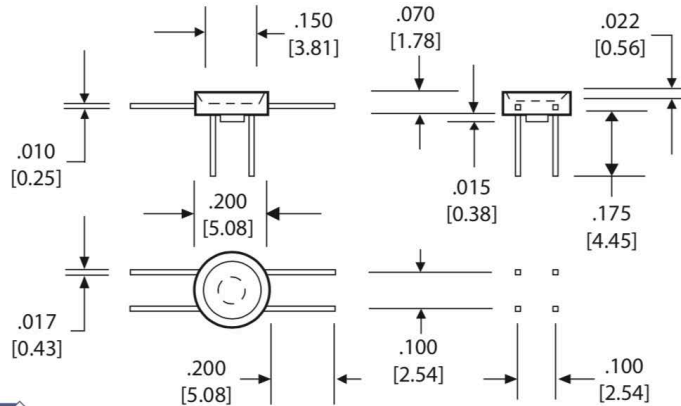


Phone: (800) 694-8089
www.lodestonepacific.com
E-mail: sales@lodestonepacific.com

TM200-4

Material: DAP (Green)
UL Rating: UL94-VO, Class F
4 Terminals: Alloy 42 Lead Frame
100% Tin Plated
Solderability: Per MIL-STD-202
Method 208
Package Method: Styrofoam Trays
Application: For horizontal mounting of
toroids with wound diameters from .050
to .180 inches.

Made in our China Factory



+/- .010 Inches
(mm) 2 x Size

[Request a Sample](#)

[View Inventory](#)

[Request a Quote](#)

[Toroid Mount Selector](#)

[REACH Database](#)

[Coil Winder Database](#)