

# LODESTONE PACIFIC



Phone: (800) 694-8089  
www.lodestonepacific.com  
E-mail: sales@lodestonepacific.com

## TM650-8

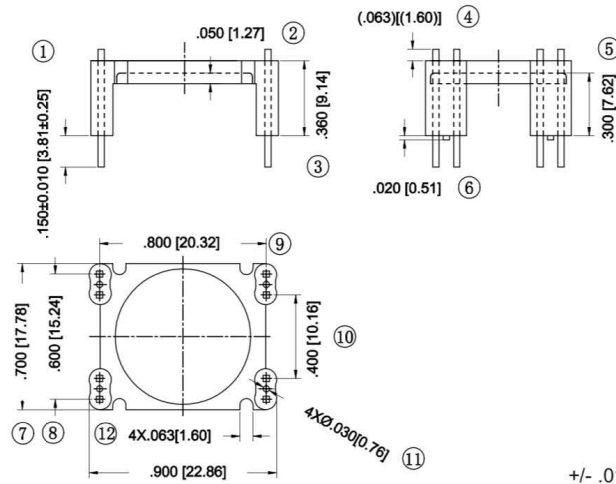
**Material:** DAP4 (Black)  
**UL Rating:** UL94-VO, Class F  
**8 Terminals:** Phosphorus Bronze  
.030 [.76mm] Sq, 100% Tin Plate

**Solderability:** MIL-STD-202  
Method 208

**Package Method:** Bulk in Polybags  
See RoHS compliant PET packaging trays  
options on page 47.

**Application:** For horizontal mounting of  
wound toroids under the platform up to  
.650 inches in diameter.

Made in our China Factory



+/- .010 Inches  
(mm), Actual Size

[Request a Sample](#)

[View Inventory](#)

[Request a Quote](#)

[Toroid Mount Selector](#)

[REACH Database](#)

[Coil Winder Database](#)