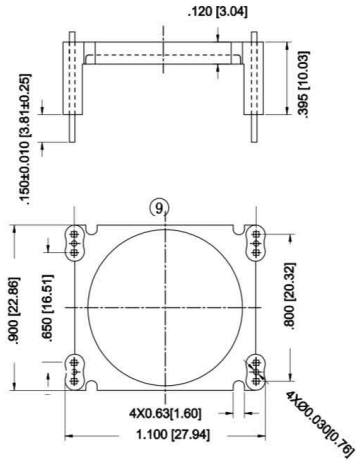


LODESTONE PACIFIC



Phone: (800) 694-8089
www.lodestonepacific.com
E-mail: sales@lodestonepacific.com

NEW



+/- .010 Inches
(mm), Actual Size



TM850-8

Material: DAP4 (Black)
UL Rating: UL94-VO, Class F
8 Terminals: Phosphorus Bronze
.030 [.76mm] Sq, 100% Tin Plate
Solderability: MIL-STD-202
Method 208
Package Method: Bulk in Polybags
See RoHS compliant PET packaging trays
options on page 47.
Application: For horizontal mounting of
wound toroids under the platform up to
.650 inches in diameter.

Made in our China Factory

[Request a Sample](#)

[View Inventory](#)

[Request a Quote](#)

[Toroid Mount Selector](#)

[REACH Database](#)

[Coil Winder Database](#)