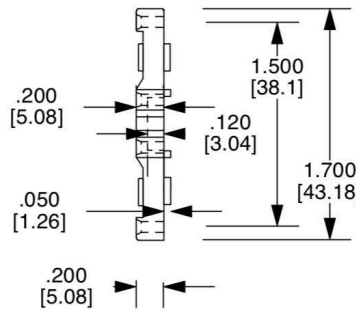
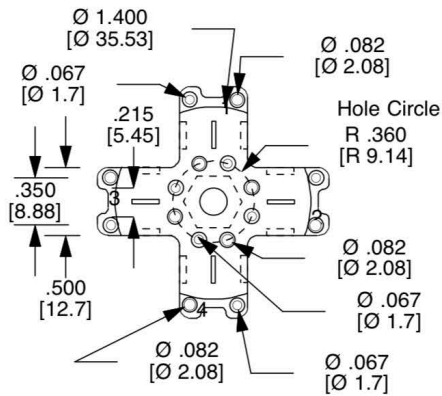


LODESTONE PACIFIC



Phone: (800) 694-8089
www.lodestonepacific.com
E-mail: sales@lodestonepacific.com

XM1300-08



Material: PET (Black)
UL Rating: UL94-VO, Class F
8 Terminals: Self Terminating
Package Method: Bulk in Polypags

Application: The X-Mount is for horizontal mounting of larger toroids up to 1.50 inches in diameter. The .067" (#12AWG) or .082" (#14 AWG) holes facilitate easy assembly and position the toroids winding wire for connection to the PCB.

Nylon Bolt M187 and Nut M185 can be used to hold toroids to the X-mount. (sold separately) The TR toroid retainers (page 30) can also be used to attach the toroid to the X-mount or to the PCB.

Made in our China Factory

[Request a Sample](#)

[View Inventory](#)

[Request a Quote](#)

[Toroid Mount Selector](#)

[REACH Database](#)

[Coil Winder Database](#)