

# LODESTONE PACIFIC

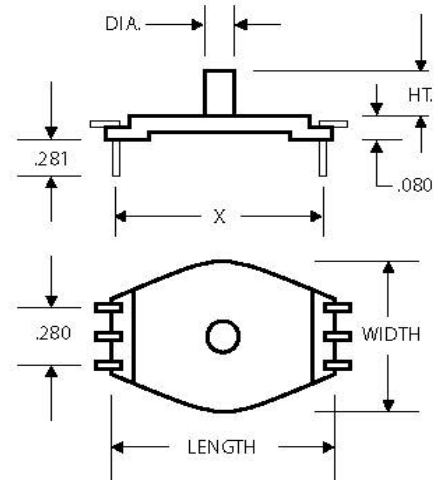
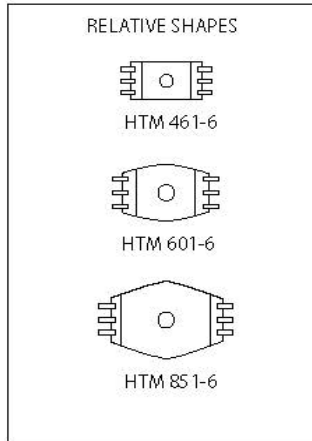


Phone: (800) 694-8089  
 www.lodestonepacific.com  
 E-mail: sales@lodestonepacific.com

## HTM SERIES

**Material:** GFN (Natural)  
**UL Rating:** UL94-VO, Class F  
**6 Terminals:** Brass Nickel Flash  
 100% Tin Plated  
**Solderability:** Per MIL-STD-202  
 Method 208  
**Package Method:** Bulk in Polybags  
**Application:** Low profile horizontal  
 mounting of wound toroids from .400 to  
 .850 inches in diameter. Each size is  
 available with or without a center post.

Made in our China Factory



± .010 inches  
 [mm] Not to Scale



PART NO.	LENGTH	WIDTH	HT.	DIA.	X	CORE SIZES	PACKING TRAY
HTM 460-6	.720 [18.28]	.460 [11.68]	.000	.000	.638 [16.20]	up to .500 inches	TY65-100-A
HTM 461-6	.720 [18.28]	.460 [11.68]	.163 [4.14]	.120 [3.04]	.638 [16.20]	up to .500 inches	TY65-100-A
HTM 600-6	.937 [23.79]	.600 [15.24]	.000	.000	.848 [21.53]	up to .750 inches	TY85-116-A
HTM 601-6	.937 [23.79]	.600 [15.24]	.250 [6.35]	.156 [3.96]	.848 [21.53]	up to .750 inches	TY85-116-A
HTM 850-6	1.208 [30.68]	.850 [21.59]	.000	.000	1.130 [28.70]	up to 1.00 inches	TY122-140-A
HTM 851-6	1.208 [30.68]	.850 [21.59]	.250 [6.35]	.156 [3.96]	1.130 [28.70]	up to 1.00 inches	TY122-140-A

[Request a Sample](#)

[View Inventory](#)

[Request a Quote](#)

[Toroid Mount Selector](#)

[REACH Database](#)

[Coil Winder Database](#)