

# LODESTONE PACIFIC



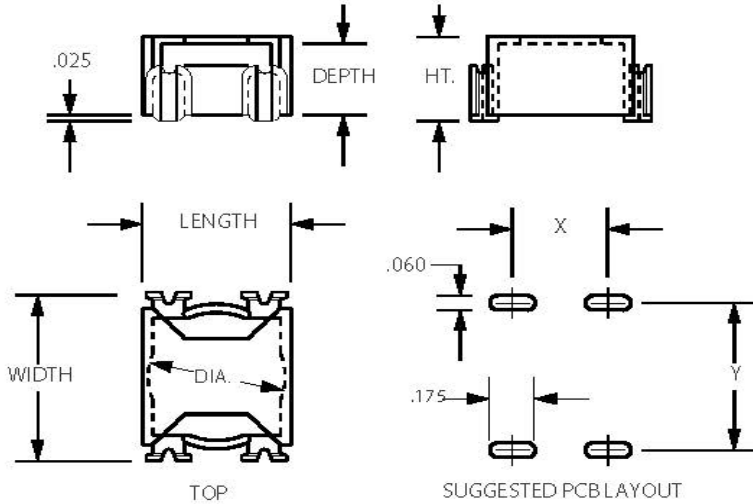
Phone: (800) 694-8089  
 www.lodestonepacific.com  
 E-mail: sales@lodestonepacific.com

## STM LCC SERIES

**Material:** PPS (Black)  
**Rating:** UL 94-VO  
**4 Terminals:** Self Terminating  
**Package Method:** Bulk in Poly Bags  
 See RoHS compliant PVC packaging trays, or tape and reel options on page 57.

**Application:** The STM LCC Series is for self leading surface mount low current coupled inductors and transformers. The series will accommodate wound toroidal cores from .485 up to .605 in diameter and uses the toroid's winding leads to surface mount the toroid and case to the printed circuit board. The wound toroids leads are held in position by the slots and channels incorporated in the mounting case.

This product and concept is the patented property of Pulse Engineering Inc.



PART NO.	TRAY NO.
STM37LCC-04	TY74x77-A
STM44LCC-04	TY74x77-A
STM50LCC-04	TY74x77-A

± .010 inches  
 [mm] [Not to Scale]

PART NO.	LENGTH	WIDTH	HT.	DIA.	DEPTH	X	Y	RECOMMENDED WIRE SIZE
STM37LCC-04	.550 [13.97]	.630 [16.00]	.310 [7.87]	.485 [12.31]	.255 [6.47]	.340 [8.63]	.530 [13.46]	# 32 (.009) to # 20 (.034) AWG.
STM44LCC-04	.575 [14.60]	.700 [17.78]	.350 [8.89]	.530 [13.46]	.295 [7.49]	.370 [9.39]	.610 [15.49]	# 32 (.009) to # 20 (.034) AWG.
STM50LCC-04	.650 [16.51]	.750 [19.05]	.350 [8.89]	.605 [15.36]	.295 [7.49]	.445 [11.30]	.660 [16.76]	# 32 (.009) to # 20 (.034) AWG.

[Request a Sample](#)

[View Inventory](#)

[Request a Quote](#)

[Toroid Mount Selector](#)

[REACH Database](#)

[Coil Winder Database](#)