

# LODESTONE PACIFIC



Phone: (800) 694-8089  
www.lodestonepacific.com  
E-mail: sales@lodestonepacific.com

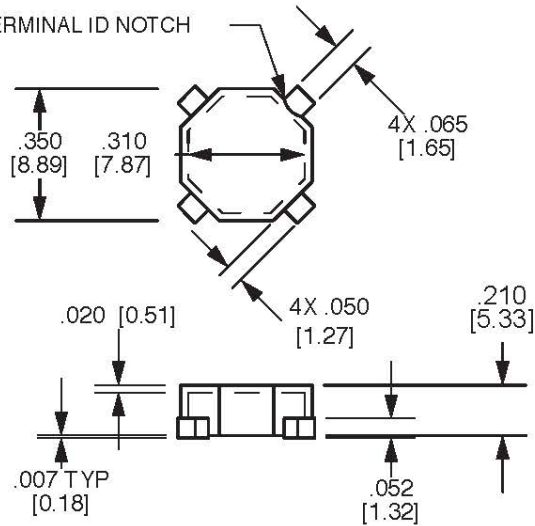
## STM303-04/175

**Material:** LCP2 (Black)  
**UL Rating:** UL94-VO, Class N  
**4 Terminals:** Self Terminating  
**Package Method:** Bulk in Poly Bags  
See RoHS compliant PVC packaging trays, or tape and reel options on page 57.  
**Application:** For surface mounting of toroids with wound diameters up to .303 inches, and .175 inches in height. The toroid leads are finned and wrapped around the tabs on the toroid mount that then make a direct connection to the PCB. Ideal for automatic pick and place.

Made in our China Factory



TERMINAL ID NOTCH



+/- .010 Inches  
(mm), 2 x Size

[Request a Sample](#)

[View Inventory](#)

[Request a Quote](#)

[Toroid Mount Selector](#)

[REACH Database](#)

[Coil Winder Database](#)