

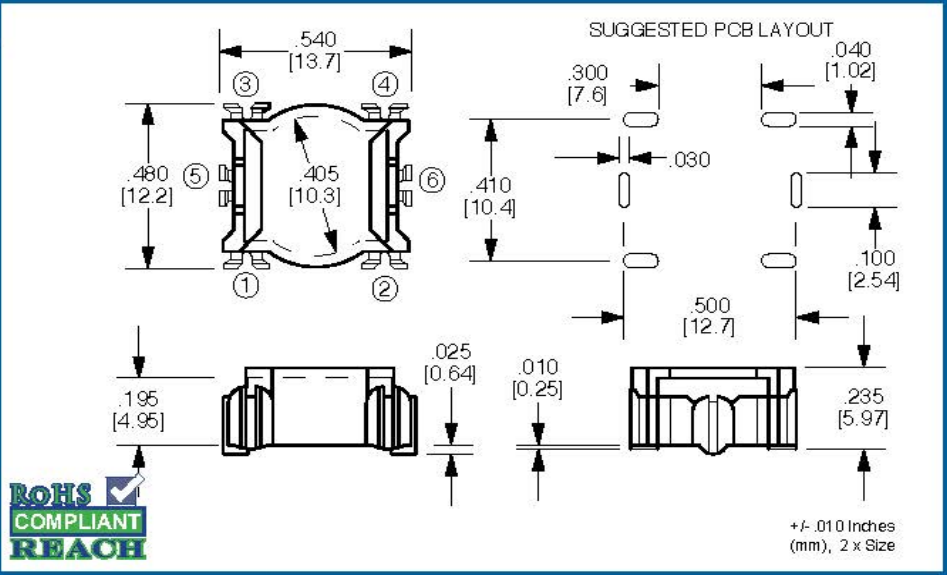
LODESTONE PACIFIC



Phone: (800) 694-8089
www.lodestonepacific.com
E-mail: sales@lodestonepacific.com

STM37CS-06

Material: PPS (Black)
UL Rating: UL94-V0, Class F
6 Terminals: Self Terminating
Package Method: Bulk in Poly Bags
See RoHS compliant PVC packaging trays, or tape and reel options on page 57.
Application: For surface mount transformers or current sensors. For toroids up to .400 inches in diameter and uses the toroid's winding leads to surface mount the toroid and case to the PCB. Use #34 AWG (.006) in termination positions 5 & 6, and #24 AWG (.020) in positions 1,2,3 & 4. This product is the patented concept of Pulse Engineering Inc.



[Request a Sample](#)

[View Inventory](#)

[Request a Quote](#)

[Toroid Mount Selector](#)

[REACH Database](#)

[Coil Winder Database](#)