

LODESTONE PACIFIC

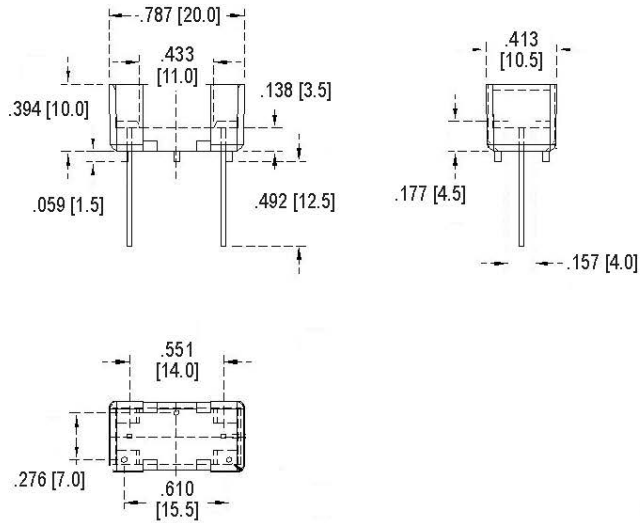


Phone: (800) 694-8089
www.lodestonepacific.com
E-mail: sales@lodestonepacific.com

VTB750-2

Material: PBT
UL Rating: UL94-VO, Class F
2 Terminals: CP Wire .025 [.64] Sq
Packaging: Bulk in Polybags

Application: For vertical mounting of wound toroids up to .750 inches in diameter. Potting material or epoxy can be used to hold the toroids in the cups.



NEW



± .010 inches
(mm) Not to Scale

[Request a Sample](#)

[View Inventory](#)

[Request a Quote](#)

[Toroid Mount Selector](#)

[REACH Database](#)

[Coil Winder Database](#)