

LODESTONE PACIFIC

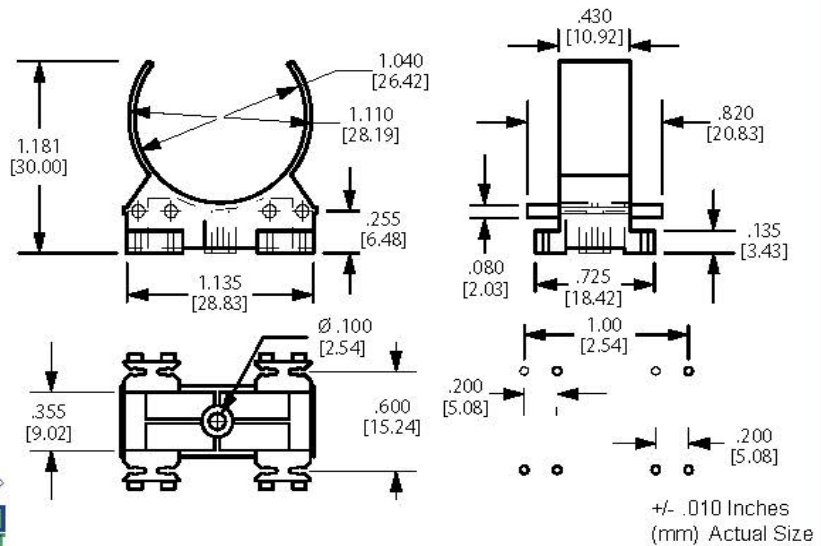


Phone: (800) 694-8089
www.lodestonepacific.com
E-mail: sales@lodestonepacific.com

VTM1060-08

Material: GFN (Natural)
UL Rating: UL94-V0, Class F
8 Terminals: Self leading
Packaging: Bulk in Polybags
Application: Designed for vertical mounting of 1.06 inch unwound toroids. The mount is designed to have the unwound core placed in the yoke, then to have the wire winding cover the core and yoke, holding the two in a single unit. Up to 8 winding leads are then snapped into the mount base. Best suited for #16 (.048) through #18 (.040) AWG.

Made in our China Factory



[Request a Sample](#)

[View Inventory](#)

[Request a Quote](#)

[Toroid Mount Selector](#)

[REACH Database](#)

[Coil Winder Database](#)