

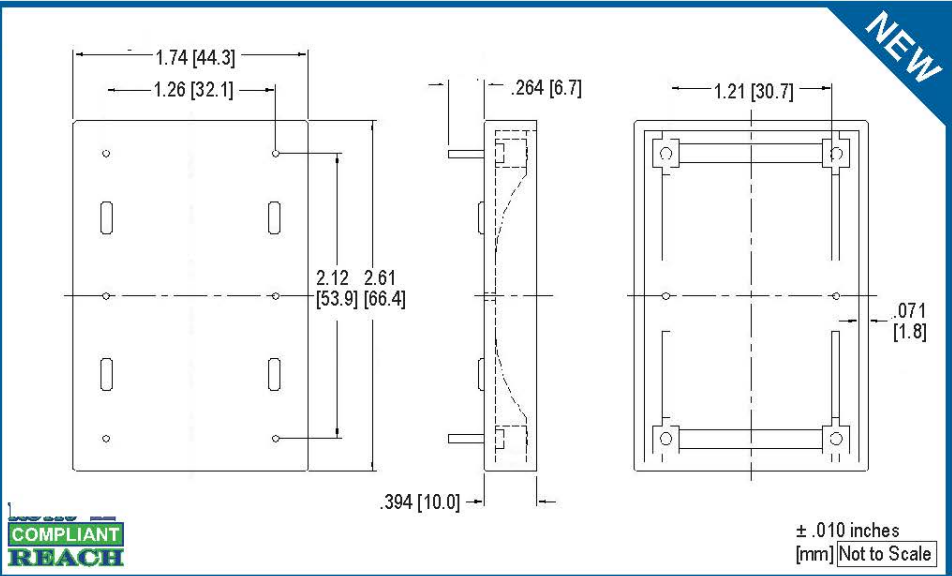
LODESTONE PACIFIC



Phone: (800) 694-8089
www.lodestonepacific.com
E-mail: sales@lodestonepacific.com

VTM3000-02/4

Material: PPS (Black)
UL Rating: UL94-VO, Class F
2 Terminals: Self Terminating
4 CP Wire Post for PCB Mounting
100% Tin Plated
Solderability: Per MIL-STD-202
Method 208
Packaging: Bulk in Polybags
Application: For mounting large heavy
wound toroids up to 3.0 inches in diameter
to be epoxied to the mount. 4 ea. plated
posts are for anchoring to the PCB or
case.



[Request a Sample](#)

[View Inventory](#)

[Request a Quote](#)

[Toroid Mount Selector](#)

[REACH Database](#)

[Coil Winder Database](#)