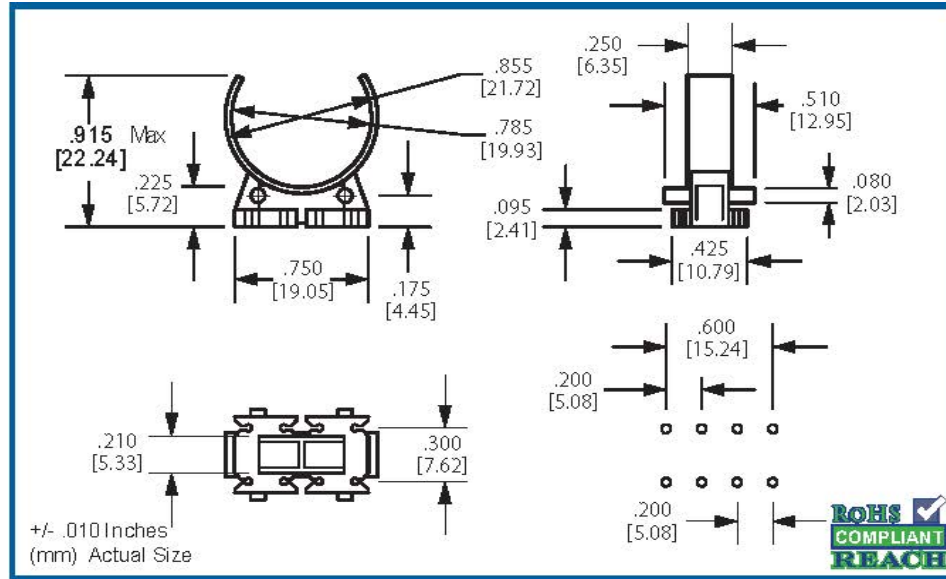


LODESTONE PACIFIC



Phone: (800) 694-8089
www.lodestonepacific.com
E-mail: sales@lodestonepacific.com



VTM800-08

Material: GFN (Natural)
UL Rating: UL94-VO, Class F
8 Terminals: Self Terminating
Package Method: Bulk in Poly Bags
See RoHS compliant PVC packaging tray options on page 57.
Application: Designed for vertical mounting of .800 inch unwound toroids. The mount is designed to have the unwound core placed in the yoke, then to have the wire winding surround the core and yoke, holding the two in a single unit. Up to 8 winding leads are then snapped into the mount base. Best suited for #20 (.034) AWG. Made in our China Factory.



[Request a Sample](#)

[View Inventory](#)

[Request a Quote](#)

[Toroid Mount Selector](#)

[REACH Database](#)

[Coil Winder Database](#)