

LODESTONE PACIFIC

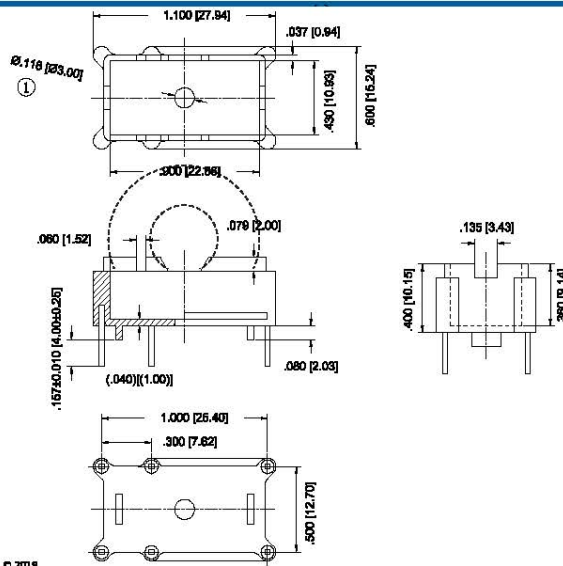


Phone: (800) 694-8089
www.lodestonepacific.com
E-mail: sales@lodestonepacific.com

TM900-6

Material: GFN Natural
UL Rating: UL94-VO, Class F
6 Terminals: CP Wire
.030 (.76mm) square, 100% Tin Plate.
Solderability: Per MIL-STD-202 Method 208
Packaging Tray: Bulk in Polybags
Application: For vertical mounting of wound toroids up to .90 inches in diameter requiring up to 6 terminations.

Made in our China Factory



NEW



© 2018

[Request a Sample](#)

[View Inventory](#)

[Request a Quote](#)

[Toroid Mount Selector](#)

[REACH Database](#)

[Coil Winder Database](#)