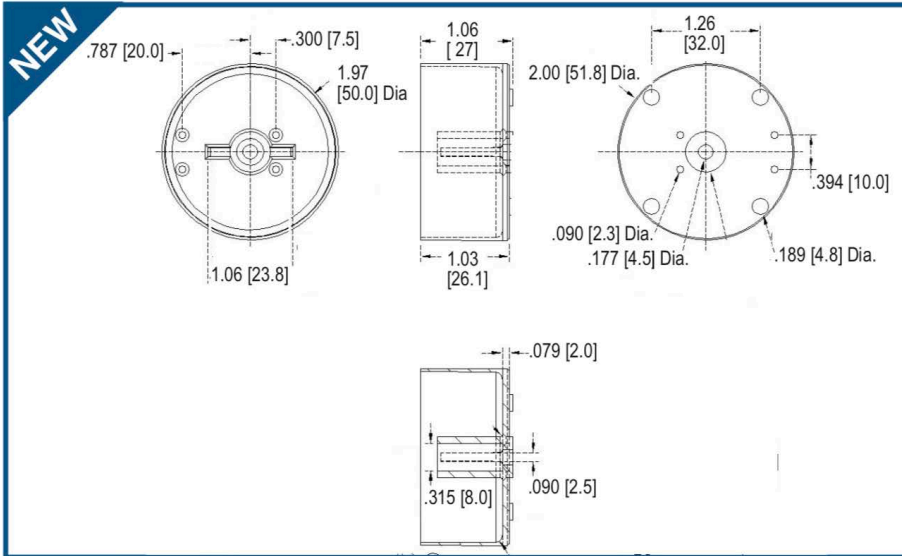


LODESTONE PACIFIC



Phone: (800) 694-8089
www.lodestonepacific.com
E-mail: sales@lodestonepacific.com



HTC1890-04

Material: GFN
UL Rating: UL94-VO, Class F
4 Terminals: Self Terminating

Package Method: Bulk in Polybags

Application: Horizontal mounting of wound toroids up to 1.890 inches in diameter for common mode choke applications.

Made in our China Factory

[Request a Sample](#)

[View Inventory](#)

[Request a Quote](#)

[Toroid Mount Selector](#)

[REACH Database](#)

[Coil Winder Database](#)