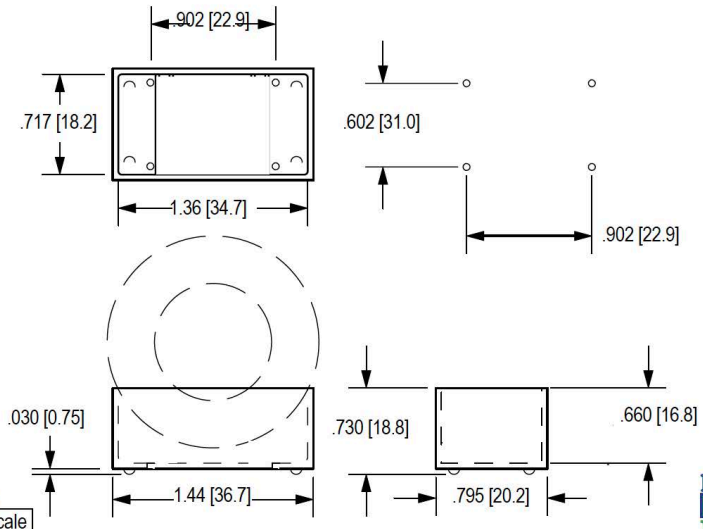


LODESTONE PACIFIC



Phone: (800) 694-8089
www.lodestonepacific.com
E-mail: sales@lodestonepacific.com

NEW



VTB1366-04

Material: PBT
UL Rating: UL94-VO, Class F
4 Terminals: Self termination
Packaging: Bulk in Polybags

Application: For vertical mounting of wound toroids. The toroid leads go through the cup holes for PCB soldering. Potting material or epoxy can be used to hold the toroids in the cups.

Made in our China Factory



[Request a Sample](#)

[View Inventory](#)

[Request a Quote](#)

[Toroid Mount Selector](#)

[REACH Database](#)

[Coil Winder Database](#)